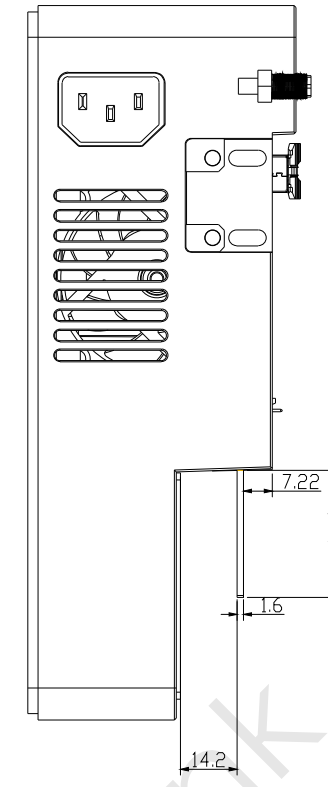
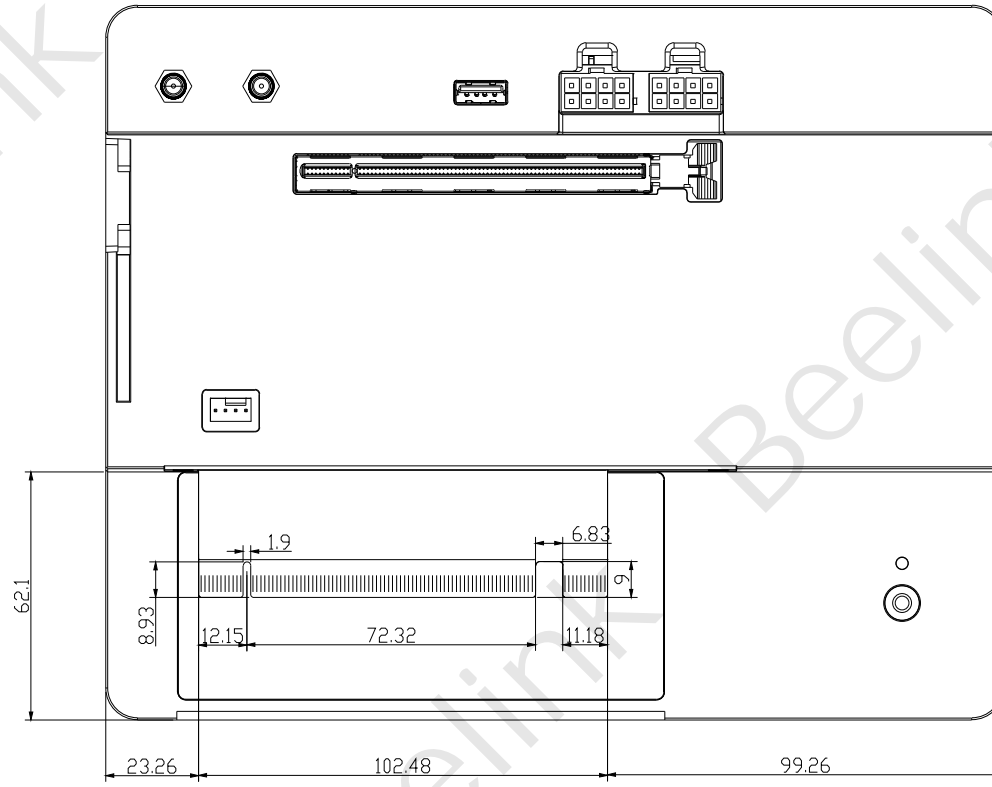
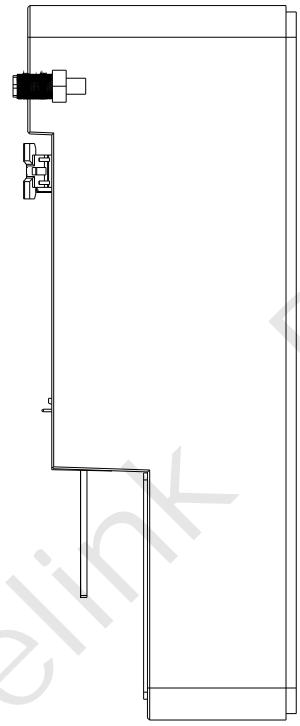
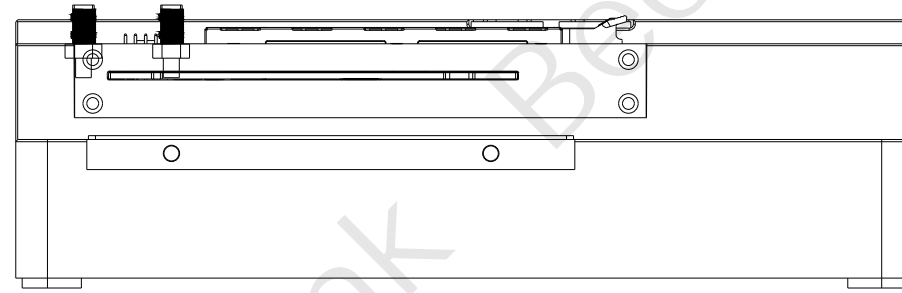


REV	BY	DATE



DIM	TOL	A	B	C	D
~8	±0.03	±0.05	±0.10	±0.20	
8~25	±0.05	±0.08	±0.20	±0.30	
25~80	±0.08	±0.12	±0.30	±0.40	
80~250	±0.12	±0.20	±0.40	±0.50	
250~	±0.20	±0.30	±0.50	±0.60	

PART NO.			
PART NAME			
MATERIAL		UNITS	MM
SCALE	1:1	REV.	A
SHEET	1/1		

SHENZHEN AZW TECHNOLOGY CO.,LTD

THESE DRAWINGS AND SPECIFICATIONS ARE THE PROPERTY OF SHENZHEN AZW TECHNOLOGY CO.,LTD. AND SHALL NOT BE REPRODUCED, WRITTEN COPIED OR USED IN ANY MANNER WITHOUT THE PRIOR CONSENT OF SHENZHEN AZW TECHNOLOGY CO.,LTD.

DESIGN BY	CHKD BY	APPROVED BY
袁有明		
2024-10-17		

